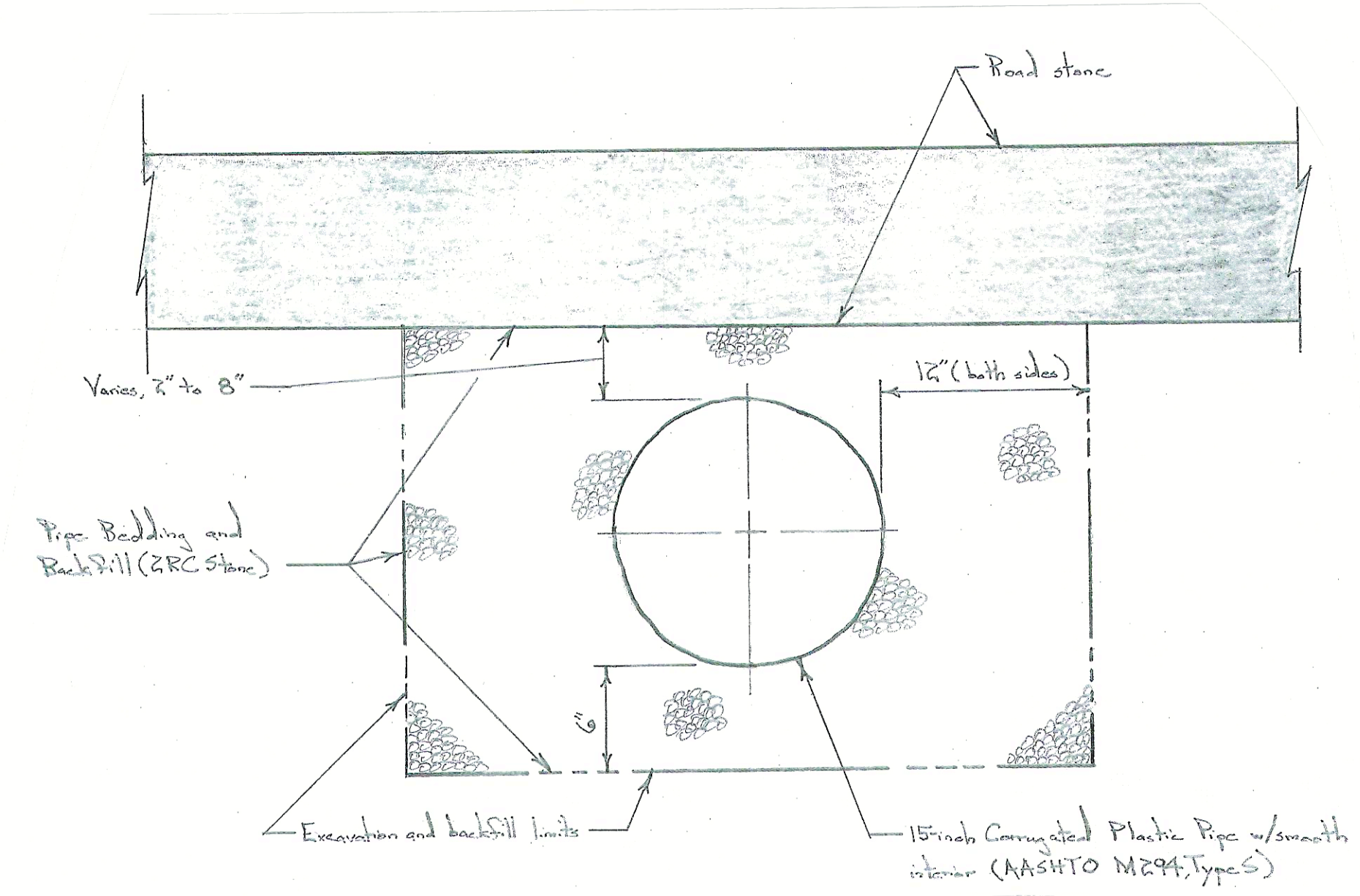


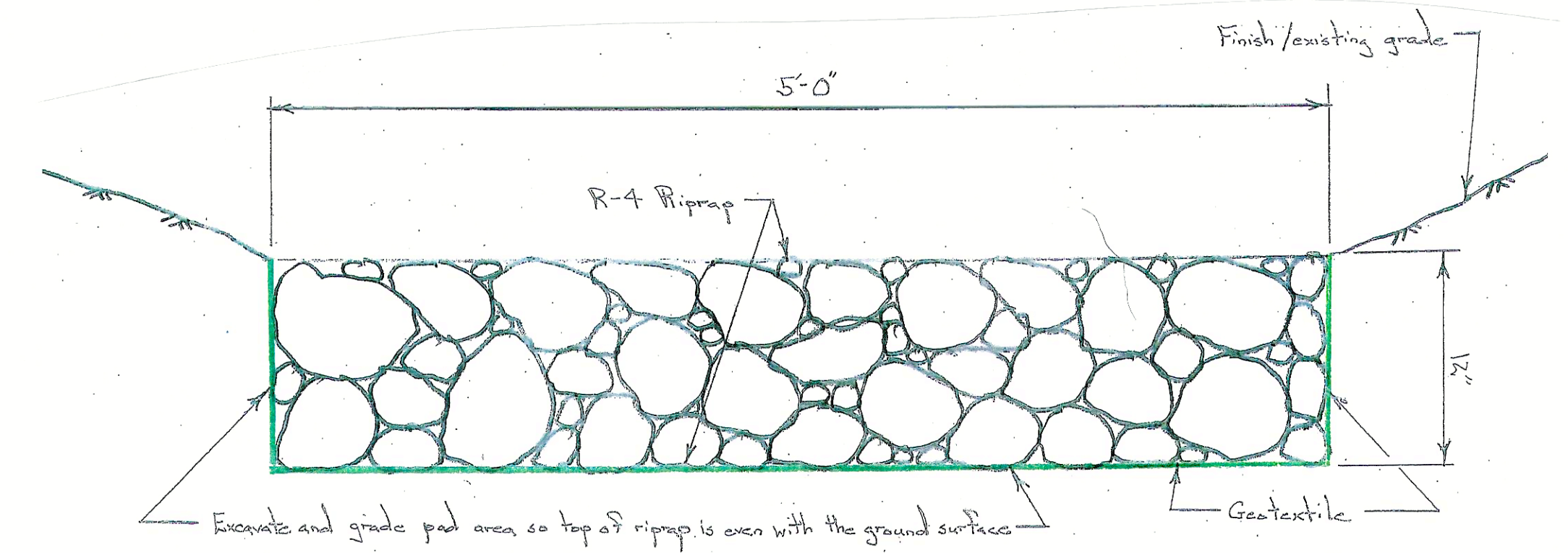
DRAINAGE PIPE PLAN

Scale: 1/4 in. = 1 ft.



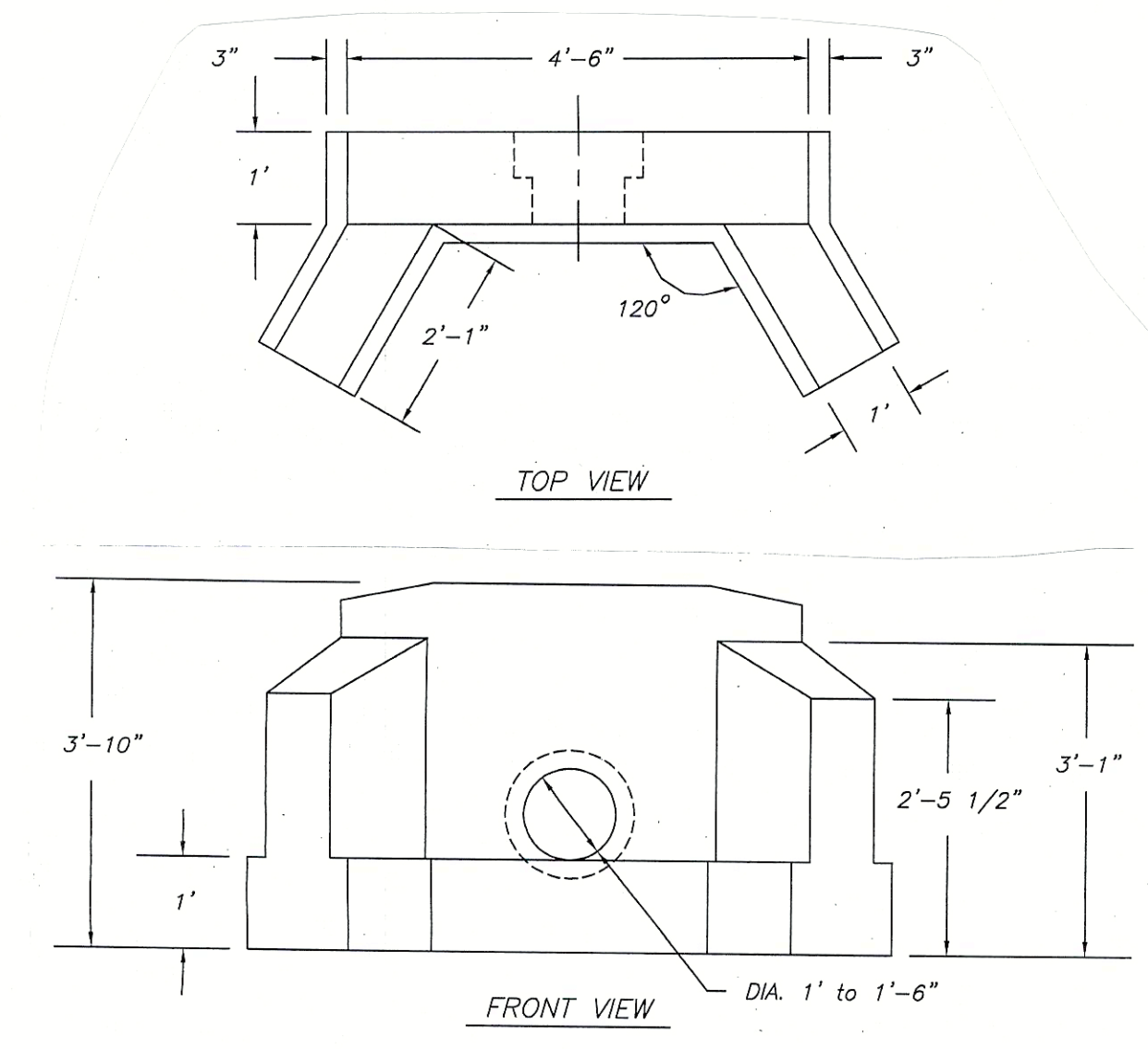
DRAINAGE PIPE SECTION

Scale: 1-1/2 in. = 1 ft.



RIPRAP SPLASH PAD SECTION

Scale: 1-1/2 in. = 1 ft.



15" HEADWALL

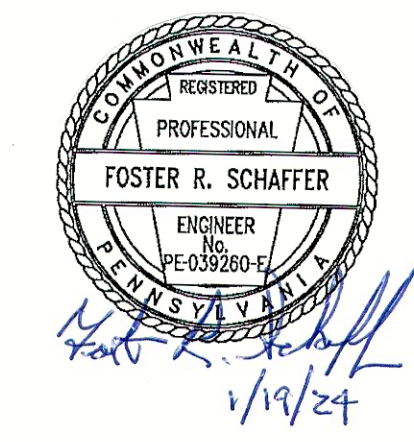
HEADWALL DETAILS

No Scale

- NOTES:
1. MINIMUM 4,000 P.S.I. CONCRETE AT 28 DAYS WITH 5.5% A.E.
 2. REINFORCEMENT-A.S.T.M. A615 GRADE 60, MINIMUM 1 1/2" COVER
 3. ALL EXPOSED EDGES ARE CHAMFERED 1"
 4. MATERIAL AND CONSTRUCTION SHALL COMPLY WITH PENN. D.O.T. PUB. 408
 5. APPROX. WEIGHTS :
15" = 4,100 LBS.

DRAINAGE PIPE NOTES

1. The minimum fall in the new drainage pipes is 3-inches over a 10-foot length (slope of 0.025).
2. Pipes should cross the road to suit field conditions and existing drainage paths. New pipes are 30-feet long. Pipes should cross the road on an angle to suit flow patterns.
3. Perform minor grading at the inlet and outlet ends of the new drainage pipes so that flow smoothly enters and exits the pipes.
4. Minimum cover over the new drainage pipes is 12-inches.
5. The depth of placement of the new drainage pipes can vary to meet field conditions. The downstream ends of the pipes can be deeper to meet field conditions and slope requirements.
6. Place precast concrete headwalls on both ends of the new drainage pipes. Place a riprap splash pad on the downstream end of the new pipes.



PENNSYLVANIA GAME COMMISSION		
SGL #13	COLLEY TWP.	SULLIVAN CO.
NEWELL ROAD PROJECT		
DRAINAGE PIPE DETAILS		
REVISIONS	PROJECT NO.	PGC-13-24-02
▲	DRAWN BY:	LS
▲	DATE:	1/19/24
▲	SHEET NO.	3 OF 3